

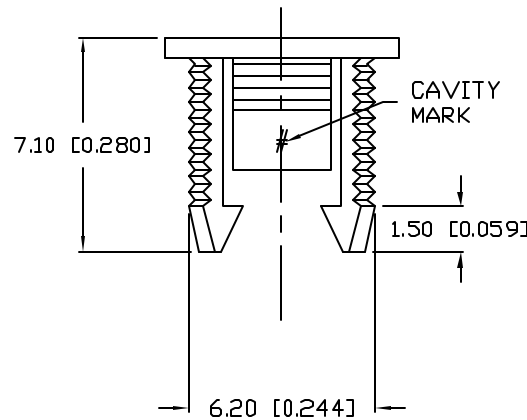
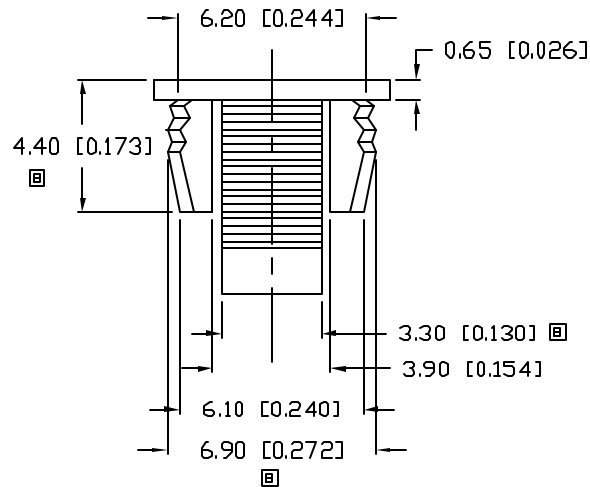
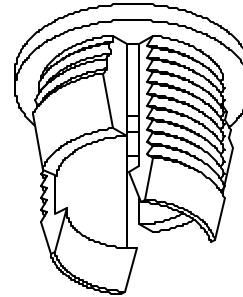
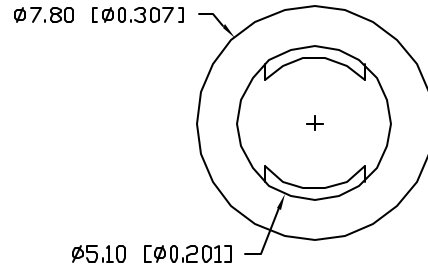
UNCONTROLLED DOCUMENT

(LX)

PART NUMBER
SSH-LX5091

REV.
B

REV.	E.C.N. NUMBER AND REVISION COMMENTS	DATE
A	E.C.N. #10BRDR. & REDRAWN.	4-1-99
B	E.C.N. #10525.	6-24-99



NOTES:

1. MATERIAL: BLACK POLYPROPYLENE 94V-0.
2. PANEL CUTOUT: 1/4".
3. PANEL THICKNESS: 0.050"-0.100".

UNCONTROLLED DOCUMENT

*UNLESS OTHERWISE SPECIFIED TOLERANCE IS $\pm 0.25\text{mm}$ ($\pm 0.010"$)

REV.
B

PART NUMBER
SSH-LX5091

CONFIDENTIAL INFORMATION
THE INFORMATION CONTAINED IN THIS DOCUMENT IS THE PROPERTY OF LUMEX INC. EXCEPT AS SPECIFICALLY AUTHORIZED IN WRITING BY LUMEX INC., THE HOLDER OF THIS DOCUMENT SHALL KEEP ALL INFORMATION CONTAINED HEREIN CONFIDENTIAL AND SHALL PROTECT SAME IN WHOLE OR IN PART FROM DISCLOSURE AND DISSEMINATION TO ALL THIRD PARTIES.

LUMEX
INCORPORATED

290 E. HELLEN ROAD
PALATINE, ILLINOIS 60067
PHONE: 1-847-359-2790
WEB: [HTTP://WWW.LUMEX.COM](http://www.lumex.com)

LED PANEL HOLDER FOR 5mm (T-1 3/4) LED,
BLACK POLYPROPYLENE.

RELIABILITY NOTE
OUR MANY YEARS OF EXPERIENCE DATA ACCUMULATION INDICATE THAT SOLDER HEAT IS A MAJOR CAUSE OF EARLY AND FUTURE FAILURE. PLEASE PAY ATTENTION TO YOUR SOLDERING PROCESS.

DRAWN BY: ck/bc	CHECKED BY:	APPROVED BY:	DATE: 9-22-93
			PAGE: 1 OF 1
			SCALE: N/A